

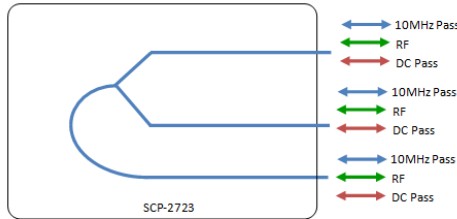


Model Number:
SCP-2723

RF Components

Scorpion Series 2-Way S/L-Band Passive Splitter/Combiner

850 - 2450 MHz



- All ports 10MHz & DC pass
- All connectors located on rear of unit
- To be used as standalone unit or fitted to the Scorpion 1U rack mount chassis SCP-1U-11

Available with RF connector options:

- 50 Ω SMA
- 50 Ω N-type
- 50 Ω BNC
- 75 Ω BNC
- 75 Ω F-type.



Compact
Housed in rugged compact enclosure

Chassis Mounting
Tapped screw & through hole for use with Scorpion 1U chassis mount systems

850 - 2140 MHz
Operating frequency range.

| RF Parameters | | | | | |
|--------------------------|--------------|------------|---------|---------|------------|
| SCP-2723-XXXX | S5S5 | N5N5 | B5B5 | B7B7 | F7F7 |
| Frequency Range | 850-2450 MHz | | | | |
| RF Connectors | 50Ω SMA | 50Ω N-Type | 50Ω BNC | 75Ω BNC | 75Ω F-Type |
| Mean Insertion Loss (dB) | 0.7±0.3 | 0.7±0.3 | 0.7±0.3 | 1±0.5 | 1±0.5 |
| Flatness ± (dB) | 0.5 | 0.5 | 0.5 | 1.0 | 1.0 |
| Input Return Loss (dB) | Typ. | 18 | 18 | 14 | 14 |
| | Min | 16 | 16 | 8 | 8 |
| Output Return Loss (dB) | Typ. | 20 | 20 | 14 | 14 |
| | Min | 18 | 18 | 8 | 8 |
| Isolation (dB) | Typ. | 22 | 22 | 18 | 18 |
| Amplitude Balance (dB) | ≤0.2 | ≤0.2 | ≤0.2 | ≤0.5 | ≤0.5 |
| Phase Balance (Φ) | ≤2° | ≤2° | ≤2° | ≤5° | ≤5° |

The given Insertion Loss specified is the loss above the theoretical limit for a lossless divider
 10MHz Insertion Loss is up to 3dB above the theoretical loss*
 10MHz Rejection is 20dB*
 *To ports which are applicable

Broadcast



Marine Oil & Gas



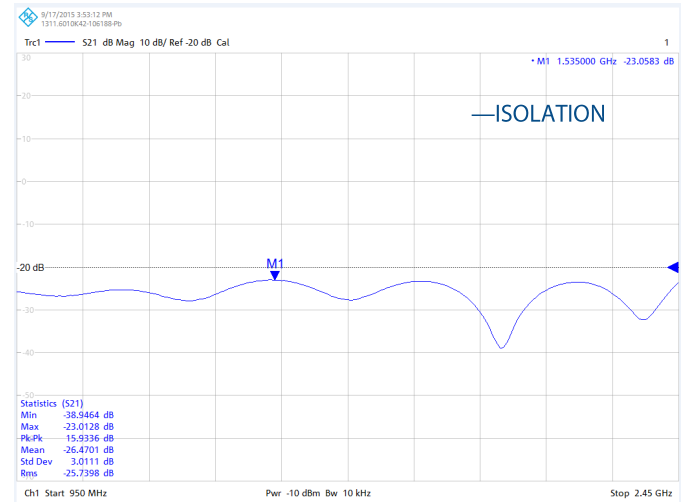
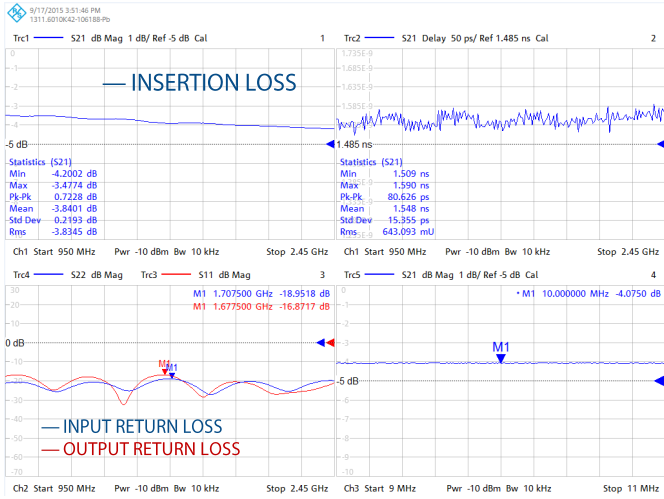
SNG & VSAT



Satellite Teleport



Technical specifications and operating parameters

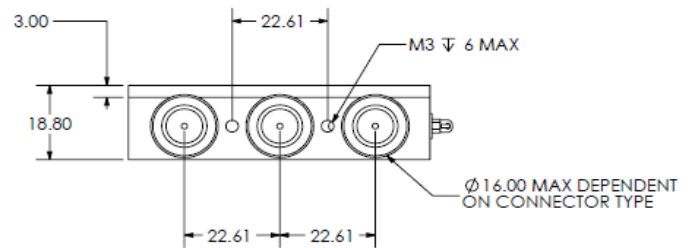
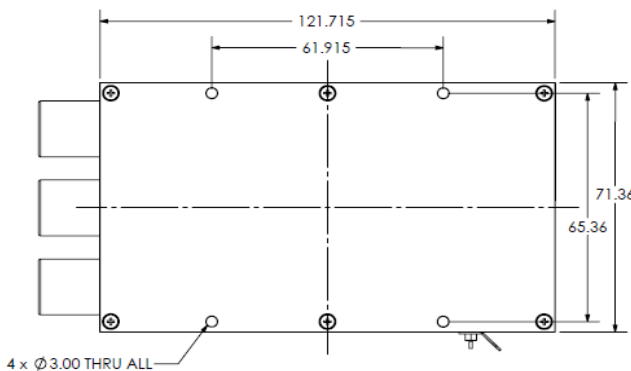


| Environmental | | |
|-----------------------|-----|--------------------|
| Operating Temperature | | 0°C to +45°C |
| Storage Temperature | | -20°C to +75°C |
| Location | | Indoor use Only |
| Humidity | Max | 85% non-condensing |
| Altitude | Max | 10,000 feet |

| Max Operating Parameters | |
|------------------------------|--------------------|
| Input RF Power (As Splitter) | +34 dBm (2.5W) |
| Input RF Power (As Combiner) | +27 dBm (0.5W) |
| DC Voltage | 35V on any RF port |
| DC Current | 1A Max |

! Operation beyond these limits may cause instantaneous and permanent damage.

Physical Dimensions (mm)



Note: The specification is subject to regular reviews and will be updated from time to time as part of our continuing product development and improved specification accuracy.